



Heattie  
RHT303F



Retable -short  
RHT301



Retable -tall  
RHT302

## Contents

Safety instructions	1
General information	2
Cleaning and maintenance	2
Technical data	2
Warranty	Turn Page
Box contents	3
Assembly	3
Description and features	4
Troubleshooting	5

## Safety instructions

**WARNING - When using electrical appliances, basic safety precautions should always be followed. Failure to comply with these instructions may cause a fire, electrical shocks or other injury to persons or property.**

- Children of less than 3 years should be kept away unless continuously supervised.
- Children between 3 and 8 years old should only be allowed to switch the appliance on/off, provided that it has been correctly installed in its intended operating position and they have been given supervision or instruction concerning the safe use of the appliance and understand the hazards involved. They should not plug in, regulate, perform maintenance or clean the appliance.
- CAUTION** — Some parts of this product can become very hot and cause burns. Particular attention has to be given where children and vulnerable people are present.
- DO NOT** position the heater on soft surfaces or where openings may become blocked. Ensure the base is fitted and fully assembled, and the unit is upright on a flat stable surface before operating. This heater is designed for use on Patios and in Beer gardens & smoking areas. The unit has been IP45 Weatherproof approved; however, to prolong the life of the heater it is strongly recommended that the heater is stored in a dry place during heavy rain and when not in use cover the appliance with the cover provided.
- DO NOT** hide the power cord in long grass or leave close to an operating lawnmower. Arrange the cord away from areas where it may be tripped over.
- DO NOT** insert or allow objects to touch the heating element and never place anything on the heater safety guard (e.g. towels), as this may damage the heater and could cause an electrical shock or fire. Never use your heater to dry washing. If the heating element has stopped glowing it may still be live, please check that the heat setting indicates the heater is off.
- Always disconnect your appliance from the mains before any cleaning.
- DO NOT** use the heater in areas where petrol, paint, or other flammable substances are stored.
- Always unplug the heater when not in use. To disconnect from the power supply, grip the plug and pull from the power socket. Never pull by the cord.
- DO NOT** direct the heater towards curtains, furniture or other flammable objects and ensure that they are at least 0.5 metres from the Heater.
- Extreme care should be taken when the heater is used near children and pets.
- In order to avoid overheating, do not cover the heater.
- If the supply cord is damaged, it must be replaced by the manufacturer, its service agent or similarly qualified persons in order to avoid a hazard.

- Never locate the heater where it may fall into a swimming pool or other water container. Never use in a bathroom or shower room. Heater should not be positioned directly under a socket outlet.
- Do not use this heater in conjunction with a timer device or any other device, which facilitates unattended switch on.
- The electrical cord must be fully unwound before use.
- The front grille is intended to prevent direct access to the heating elements and must be in place when the heater is on.
- This appliance can be used by children aged from 8 years and above and persons with reduced physical, sensory or mental capabilities or lack of experience and knowledge if, they have been given supervision or instruction concerning use of the appliance in a safe way and understand the hazards involved. Children should not play with the appliance. Cleaning and maintenance should not be attempted by children without supervision.

## General information

This product has been designed for domestic and commercial use, to heat outdoor or indoor spaces using energy efficient carbon fibre infrared technology. It must only be used for this intended purpose and should be operated according to the instructions included in this manual. Please carefully read all operating and safety instructions before use. Never cover appliance when in operation and ensure that flammable objects (clothes, curtains, etc.) cannot come in close contact with the appliance. You may also find this manual's content at [www.warmwatcher.com](http://www.warmwatcher.com)

## Cleaning and maintenance

- Before cleaning, turn the heater off, unplug from the power supply and wait for the unit to cool down.
- Use a soft cloth to wipe off any dust. If the heater is very dirty, use a damp cloth and wipe dry. Do not use any cleaning detergents, sprays or other chemicals, as they will damage the unit.
- When the heater is not in use for a long period, clean and place in a cover or store in a dry place.

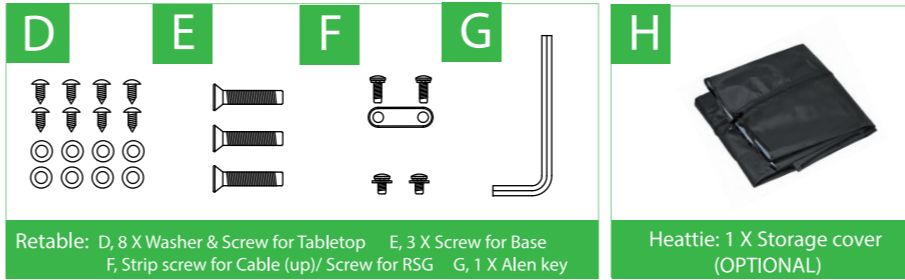
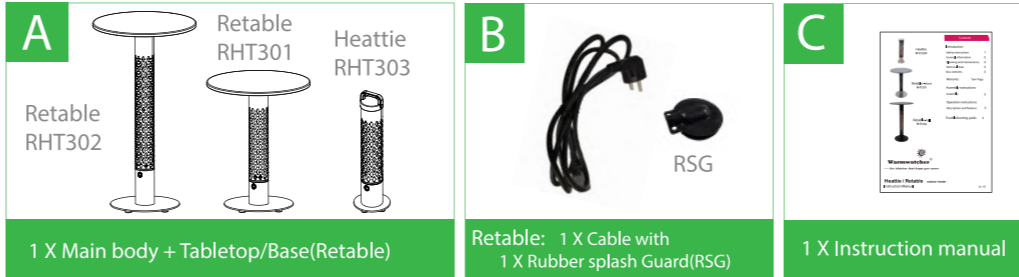
## Technical data

Model No.: RHT301(Short) / RHT302(Tall) / RHT303F or see Rating Label  
 Power output : 1500W /2000W / 1200W 220v-240v AC ~ 50/60Hz or see Rating Label  
 Heater watts : 1500W /2000W / 1200W or as per Rating label  
 Cable length : 1.9m / 1.9m / 1.8m or as per outer box  
 Gross weight : 17.2 / 20.5 / 3.9 kgs Net weight : 13.6 / 14.5 / 3.4 kgs  
 Product Dimension: RHT301 40cm Base/ 60cm Tabletop & 75cm high  
 RHT302 40cm Base/ 60cm Tabletop & 110cm high  
 RHT303 19.5cm Base diameter & 65cm high

The product is IP45 weatherproof certified. It is designed to withstand tough rain conditions. We recommend that you should cover and store in a dry place when not in use for long periods of time.

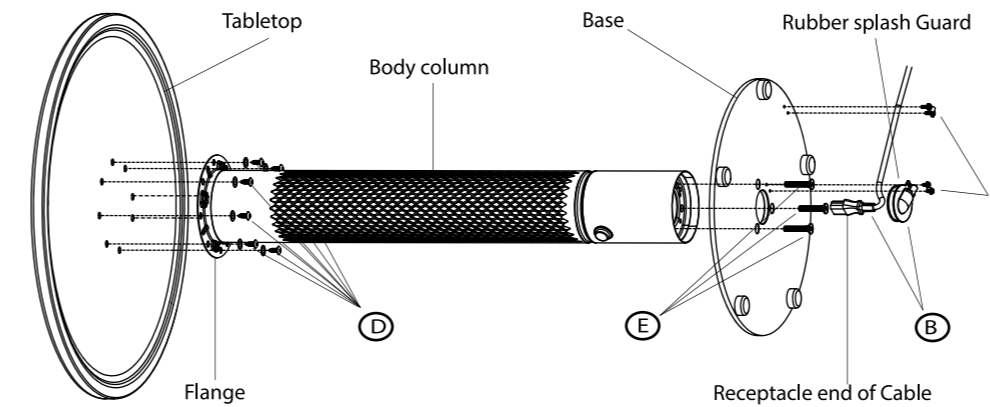


## Box contents



## Assembly (Retable)

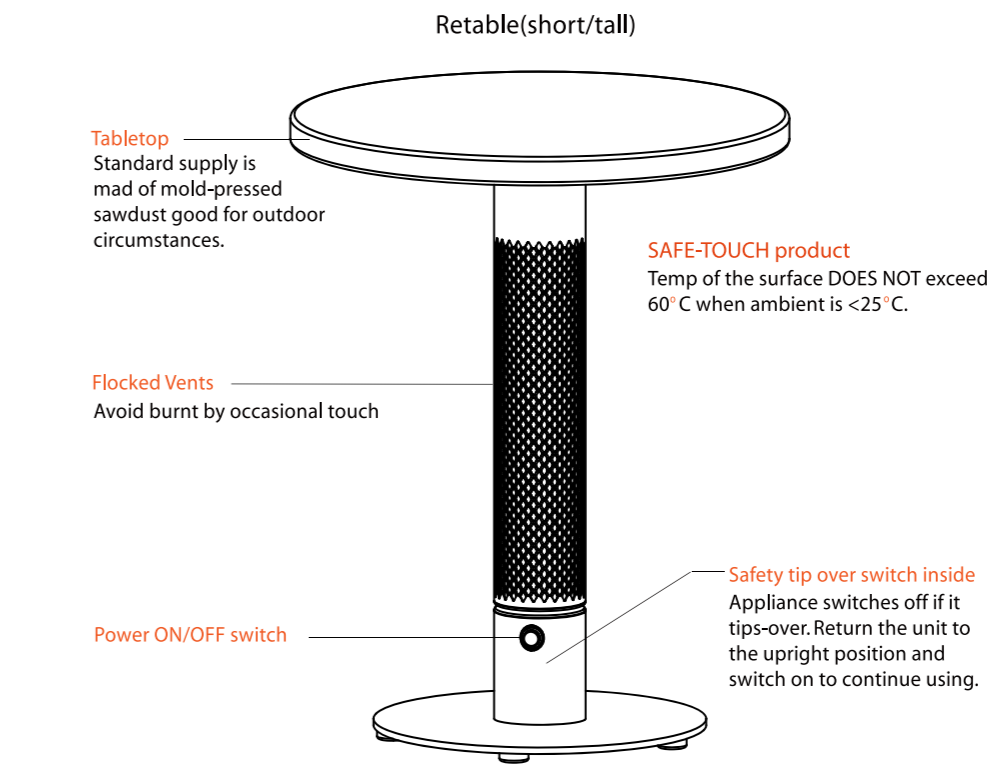
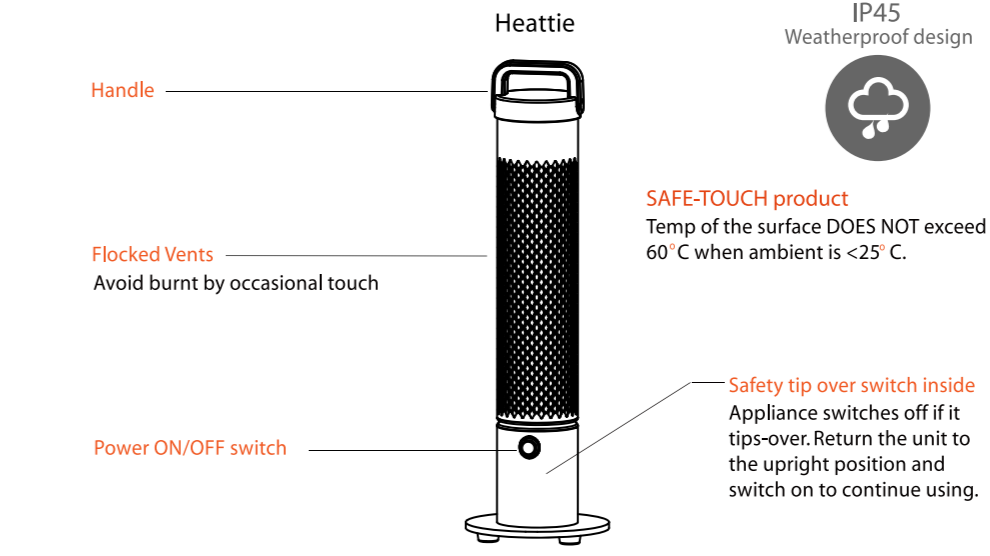
Straight up the Body column on box to avoid scratching and for easy assembly with the Base & Tabletop.



- Mark dots on the bottom side of the Tabletop through the eight holes at the Flange of the Body column, make sure the dots are at the enter of the Tabletop. Align the Tabletop through its dots with the Flange, fasten them with the Washers/Screws(D) by cross driver. You may do this at the end.
- Align the Base with the Body column through their holes, insert and fasten the three screws(E) by Alen key(G). You may do this step after number 3.
- Insert the Receptacle end of Cable through the hole of the

- Base and connect it with the socket inside the Body column. Make sure the connection is solid. You may do this step ahead of number 2.
- Fill the Rubber splash Guard (RSG) into the hole of Base. Cover the RSG on the cable and fix RSG with the two screws(F). Then fix the cable with the Strip screw(F) at the edge of the Base. During the slack season for heating, you may detach the cable and use the product as a sheer table without "tail". In this case, better to put the RSG back to its place for a better Guard against water/moisture.

## Description and features



## Trouble shooting

Problem	Possible cause	Solution
Heater won't operate	Power Switch OFF No Power to unit	Turn Power Switch ON. Check the mains or the electrical socket to restore circuit. For Retable, also check the cable receptacle is connecting the heater socket solidly or not.
	Safety Tip Over Switch Malfunction	Safety Tip Over stuck in OFF position. Give the unit a rigorous shake which may reset the switch. If this does not rectify the problem, please call the technical helpdesk – see warranty card.
	Heater not on a level surface	Ensure Heater is situated on a level and solid surface.
	Power Cord Damaged	Inspect power cable for cuts, breaks and kinks. Replacement power cords and fitting instructions can be obtained from the technical helpdesk – see warranty card.



Heattie / Retable outdoor heater  
Instruction Manual