



Dimmer (Power Regulator)
+
Operation Box



Contents

Safety instructions	1
Before use, cleaning & maintenance	1
Technical data	1
Warranty	Turn Page
Box contents	2
Description and features	2
Mounting instructions	2
Wiring circuit	3



Warmwatcher®

--- the Watcher that keeps you warm

Controller Assembly CA1
Instruction Manual

EN 01

Safety instructions

WARNING - When using electrical appliances, basic safety precautions should always be followed. Failure to comply with these instructions may cause a fire, electrical shocks or other injury to persons or property.

- 1 Ensure that the product is removed from the carton under normal conditions.
- 2 Only the **LICENSED ELECTRICIAN** is allowed to connect it with mains and the controlled appliances.
- 3 Children are not allowed to play with packaging materials, such as plastic bags.
- 4 Check the use of power supply voltage and frequency to meet the requirements of the product: 240V AC 50/60Hz
- 5 Any form of damage during use, should be handed over to the qualified maintenance and testing department for testing and maintenance.
- 6 Do not attempt to repair or debug any electrical or mechanical function resulting in invalidation of the warranty.
- 7 Do not use in close with fuel oil, paint, or other flammable materials.
- 8 The product controls multi-channel electrical equipments. Installation must be done by the relevant qualified personnel or professional dealers.
- 9 **CAUTION** — Some parts of this product can become very hot and cause burns. Do not touch the housing of Dimer/Power Regulator(APB3) to avoid scalding. Particular attention has to be given where children and vulnerable people are present.

Before use, Cleaning & maintenance

Before use The product is a controller assembly. It has multi-phase control, power regulation and timing. It is designed to be used with the big powered heaters. Please carefully read all operating and safety instructions before installing and wire connecting. Never cover the Dimmer when in operation and ensure that flammable objects (clothes, curtains, etc.) do not come in close contact with it. You may also find this manual's content at www.warmwatcher.com

Cleaning and maintenance Before cleaning or maintaining, disconnect it with the mains and wait for the Dimmer to cool down. To clean the Dimmer or the Operation Panel, use a soft cloth to wipe off any dust. If they are very dirty, use a damp cloth and wipe dry. Do not use any cleaning detergents, sprays or other chemicals.

Technical data

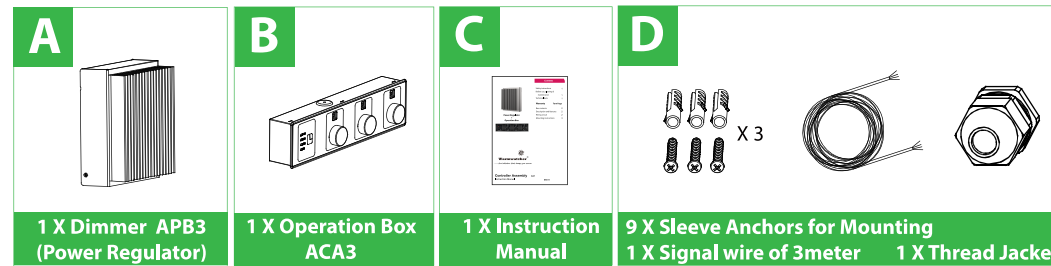
Model No.: CA1 (Incl. a Dimmer APB3 and an Operation Box ACA3)
 Power output : 3*6000W 240V AC ~ 50-60Hz
 Max current : 3*25A
 Single phase power output: 6000W
 Gross weight : 4.0 kgs Net weight : 3.2 kgs
 Product Dimension: Dimmer, L20*H22*D9cm
 Operation Box, L34.4*H8.6*D7cm



The product is IP44 waterproof certified. It is designed to withstand small rain or dusty conditions. We recommend that you should install the Dimmer closer to the mains or the dry and clean places.

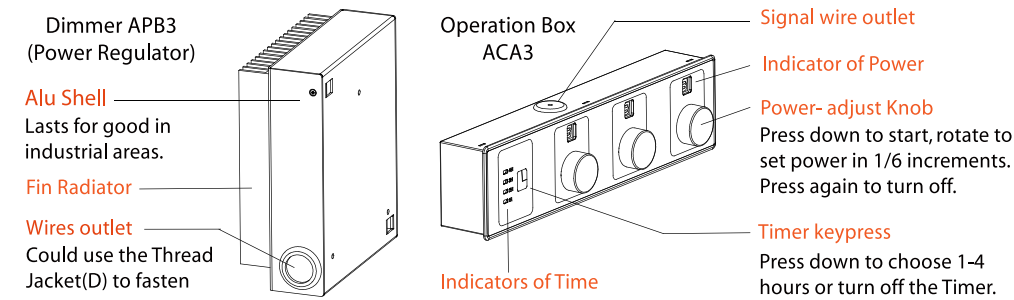
1

Box contents



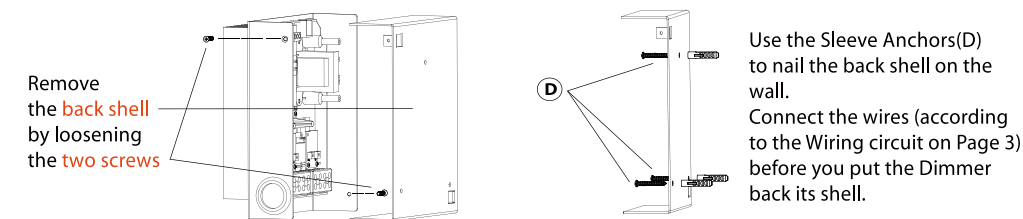
Description and features

Compatible with all Warmwatcher IHC/M/T heaters or other appliance with big power consumption. The Controller Assembly enables you to adjust the output in 1/6 increments with 1-4hours options.

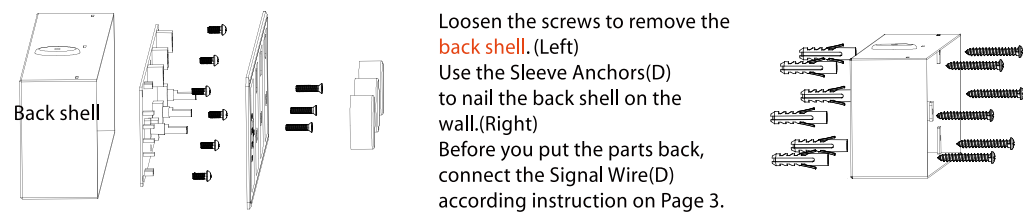


Mounting instructions

Mount Dimmer on the wall

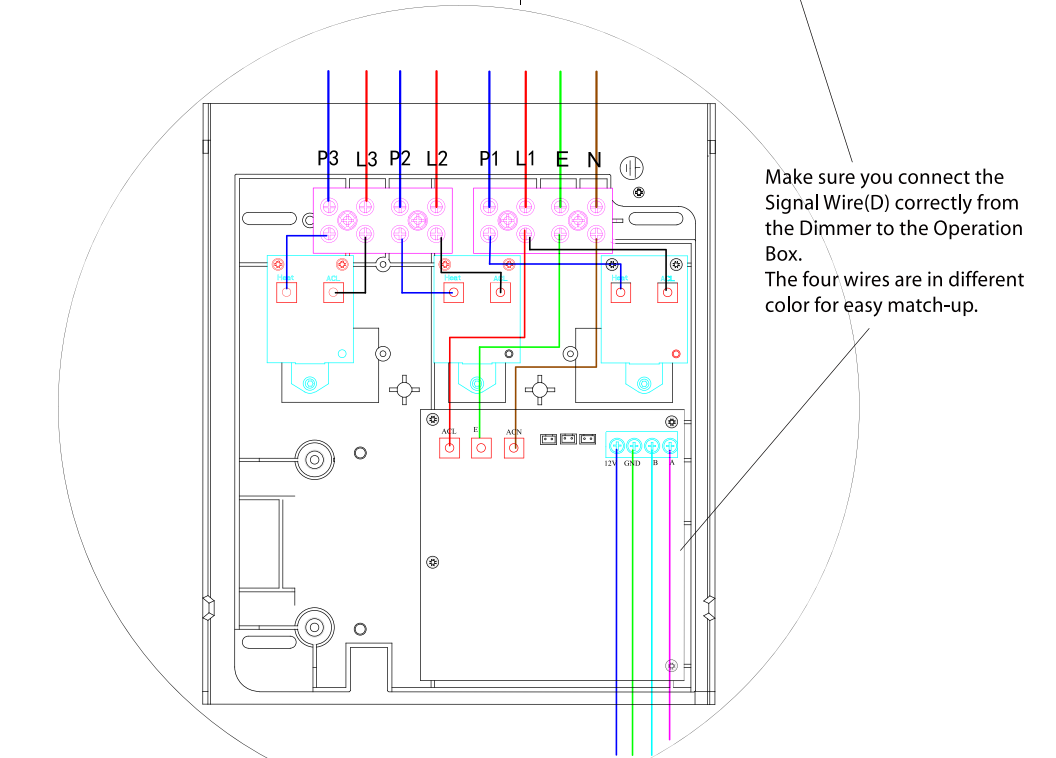
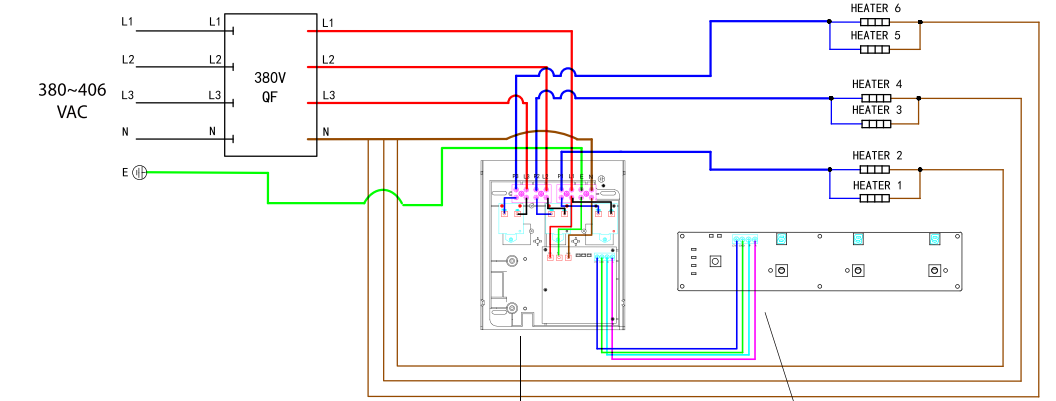


Mount Operation Box on the wall



2

Wiring circuit (Expert configuration and installation required, please consult a licensed electrician.)



3